

NEC3-24WR

Strobe Horn



Features

- Selectable candelas: 15, 30, 60, 75 & 110
- Prewire entire system, install mounting bracket, then install signals
- Horn/strobe switch selection for high or low dBA
- Horn/strobe switch for 2400 Hz, mechanical, chime and whoop tones
- Horn/strobe switch for continuous or temporal 3 (not available on whoop tone)
- Synchronize strobe and/or horn with Gentex AVSM Control Module (Horn silence-able while strobe will remain flashing)
- Tamperproof re-entrant style grill and locking screw (optional use)

Description

The NEC3-24WR is a low profile strobe/horn combination that offers dependable audible and visual alarms and the absolute lowest current available.

The NEC3-24WR offers tamperproof field selectable candela options of 15, 30, 60, 75, and 110 candela. The NEC3-24WR horn/strobe offers a continuous or synch-able temporal 3 in 2400Hz, mechanical and chime as well as a whoop tone. All tones are easy for the professional to change in the field by the use of switches.

The NEC3-24WR is shipped with a standard 4" metal mounting plate that allows the installer to easily test for supervision. The product also features a locking mechanism which secures the product to the bracket without any screws showing.

The NEC3-24WR is ANSI/UL 464, ANSI/UL 1971, CAN/ULC S525 and/or CAN/ULC S526 listed.

Ordering Information

Model no. NEC3-24WR

Specifications

No.	Item	Specification
1	Rated voltage	24VDC
2	Operating voltage range	16 to 33VDC
3	Selectable candela of strobe	15, 30, 60, 75, 110
4	Reverberant dBA of horn at 10ft	62 to 82 dBA
5	Anechoic room dBA of horn at 10ft	100 dBA
6	Operating temperature range	0°C to 49°C (32°F to 120°F)

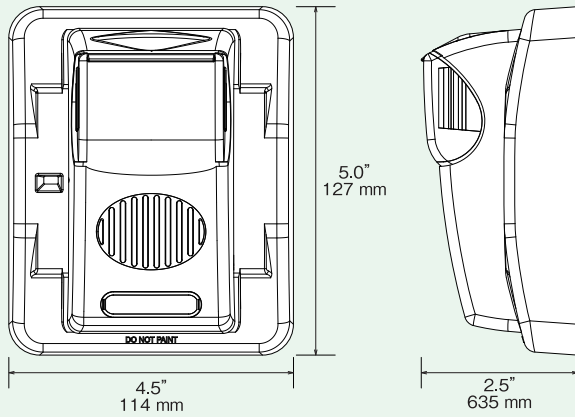
Strobe Current Ratings (mA), 24 VDC (16-33 Volts)

Candela	24 VDC	UL Max
15cd	30 mA	42 mA
30cd	42 mA	58 mA
60cd	66 mA	97 mA
75cd	80 mA	116 mA
110cd	103 mA	161 mA

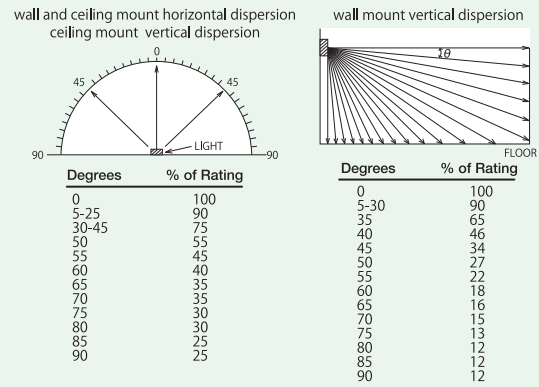
Horn Decibel (dBA) and Current Ratings (mA)

Horn Mode	Horn decibel level (dBA)		Horn current ratings (mA)
	Min. SPL at 10ft., per ANSI/UL 464 (High)	Min. SPL at 10ft., per ANSI/UL 464 (Low)	UL max. regulated 24VDC operating current (High)
Temporal 3 2400 Hz	78 dBA	71 dBA*	28 mA
Temporal 3 Mechanical	76 dBA	70 dBA*	25 mA
Temporal 3 Chime	70 dBA*	66 dBA*	15 mA
Continuous 2400 Hz	81 dBA	74 dBA*	28 mA
Continuous Mechanical	80 dBA	72 dBA*	25 mA
Continuous Chime	70 dBA*	66 dBA*	15 mA
Whoop	82 dBA	69 dBA*	56 mA

*Operating the horn in this mode at this voltage will result in not meeting the minimum ANSI/UL 464 reverberant sound level required for public mode fire protection service. These settings are acceptable only for private mode fire alarm use. Use the high dBA setting for public mode application (not applicable when using the chime tone. The chime tone is always private mode).

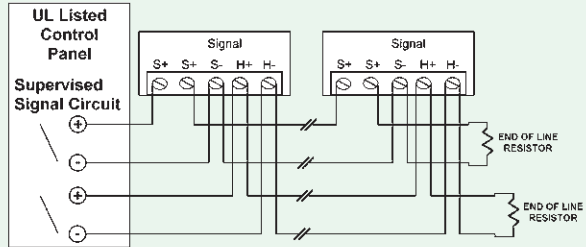
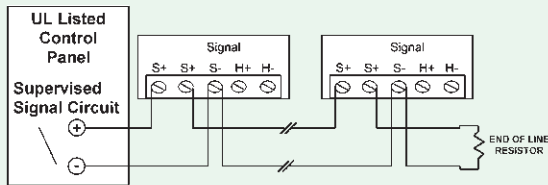


LIGHT OUTPUT IN PERCENTAGE WHEN MEASURED FROM THE FOLLOWING DIRECTIONS - PER UL 1971



****Effective Intensity Requirements for Sleeping Areas**

Visible Notification Appliance	
Distance from Ceiling to Top of Lens	Intensity
greater than or equal to 24 in. (60.96 cm)	110cd
less than 24 in. (60.96 cm)	177cd



You may connect both the strobe and the horn directly from a source of rated power without the use of a control module. Place switches 1 and 2 in the ON position on the NEC3-24WR to power both the audible and visible from a single pair of power wires. If you wish to power the horn and strobe from independent sources of power, place switches 1 and 2 in the OFF position on the NEC3-24WR and connect power to the appropriate terminals.

CAUTION: When using only a single power source to energize the strobe and horn (switches 1 and 2 in the ON position), the in/out wiring must be under the S+ and S- terminals only. Failure to do so may result in damage to your signal.

For the synchronization of Strobe Horn, refer to the installation manual of Gentex AVSM Control Module. The horn silence during strobe flashing is also available when the AVSM Control Module is used.

NOTE

- The information contained herein does not purport to cover all the details or variations of the equipment described, nor to provide for every possible contingency that may be met in connection with its installation, operation or maintenance.
- Specifications are subject to change without notice. Contact Nohmi before relying on the information.
- Actual performance is based on proper application of the product by a qualified professional.
- Should further information be required or should particular concerns arise that are not covered sufficiently for the purchaser's purposes, the matter should be referred to Nohmi or your nearest distributor.



• Head Office: 4-7-3 Kudan-Minami, Chiyoda-ku, Tokyo 102-8277, Japan
 • Phone: (81)3-3265-0231
 • F A X: (81)3-3265-5348
 URL <https://www.nohmi.co.jp/english/>

Contact