

CAT. NO. **D-F-22100**

FBMJ001 FBMJ001-D FBMJ001-DW

FIRE ALARM BELL



Features

- Motor driven type alarm bell
- High sound output with low current consumption
- High durability
- Low RFI noise
- Rainproof type available
- Lead wire connection
- Compact size(Φ130mm)
- Easy installation without detaching and attaching any parts.

Description

The NOHMI's fire alarm bell provides a higher level of sound with a high efficiency and a lower level of RFI noise.

FMBJ001 fire alarm bell is not compatible with the NOHMI analog addressable fire alarm system.

FMBJ001-D/FBMJ001-DW bells are compatible with both NOHMI analog addressable and conventional fire alarm systems.

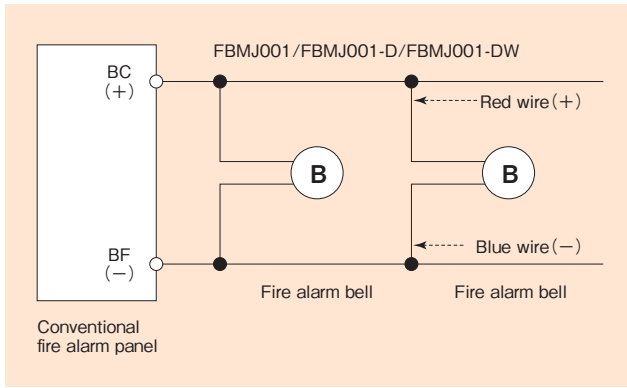
It is recommended that fire alarm bells are installed so that the sound level at any place is higher than 65 dB or higher than 6 dB plus the ambient sound level.

When installing the FMB001/FMBJ001-D in the fire hydrant box, use the fixing plate with the outer frame as it is to increase the sound volume. When installing the FMBJ001/FMBJ001-D on the wall, please detach the outer frame.

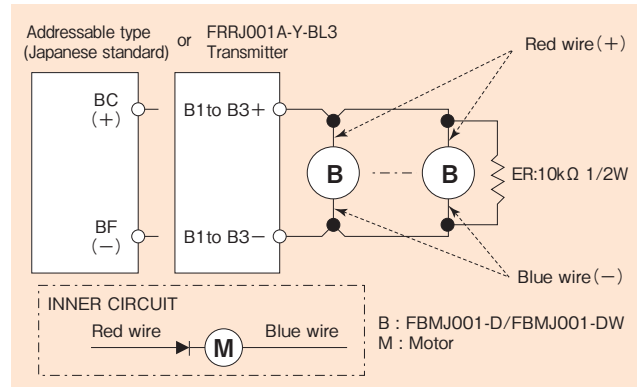
Specifications

MODEL NO.	FMBJ001	FBMJ001-D	FBMJ001-DW
TYPE	Standard type	Standard type with diode	Rainproof type with diode
RATED VOLTAGE	24V DC		
RATED CURRENT	10mA		
POLARITY	Polarized		
AMBIENT TEMPERATURE	-10°C to +40°C		-10°C to +50°C
NOMINAL SOUND LEVEL	90dB or more (at 1m)		
MOUNTING	Not for ceiling mounting		
SOUNDING MECHANISM	Motor driven		
MATERIALS	Gong : Aluminum Alloy Fixing plate : Steel sheet t=1.2mm		Gong : Aluminium Alloy Housing : PC resin
FINISH	Gong : Red painting Fixing plate : Galvanized		Gong : Red painting
WEIGHT	Approx. 270g		Approx. 320g
OTHERS	Japanese notation		

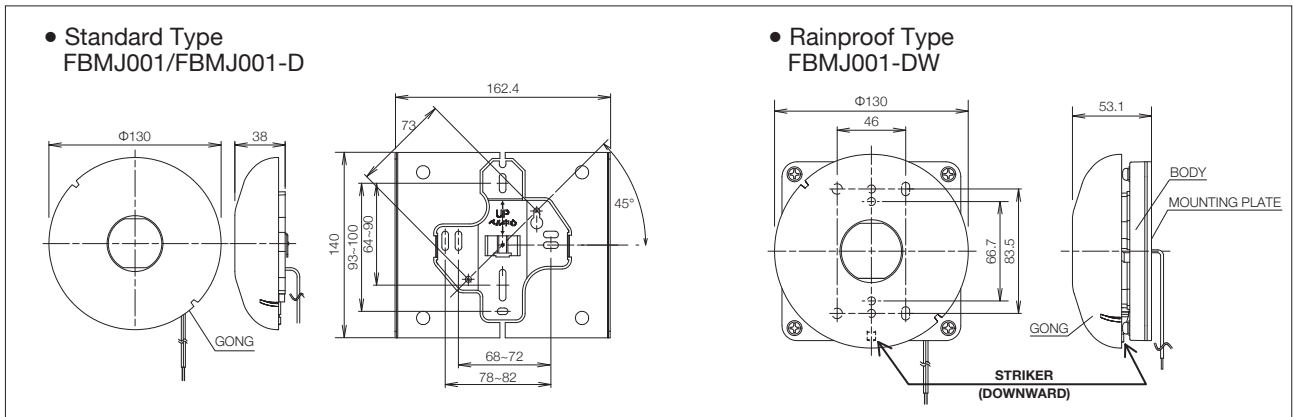
TYPICAL WIRING DIAGRAM



WIRING DIAGRAM WITH LINE MONITOR FUNCTION



DIMENSIONS



INSTALLATION

• Standard Type

- "↑UP" is facing upwards.
- Secure the mounting plate with two 4mm screws.
- Hook securely the back of the bell with the center of the mounting plate.

○ For inside of the fire hydrant box
Use the fixing plate with the acoustic reflector

○ For the wall
Detach the acoustic reflector.

CAUTION Use your hands to bend the joint several times to separate the reflectors. Forcing separating may cause injury from the cutting edges.

Bend several times (Both sides)

• Rainproof Type

- The mounting direction is with the striker facing downward.
- Secure the mounting plate to the box that recommended follows with four 4mm screws.
 - Outlet box in a wall: JIS C 8340 - for two switches
 - Weather proof box: JIS C 8435 - type SW2 50, or MIRAI INDUSTRY - type PVK-ALN1PKJ
- Secure the BODY to the mounting plate with four M4 screws (attached).

CAUTION Polarized Device : Incorrect electrical wiring may cause failures of device.

CAUTION Gong can not be removed : Disassembling the gong or any other parts can cause malfunction or prevent proper functioning.

NOTE

- The information contained herein does not purport to cover all the details or variations of the equipment described, nor to provide for every possible contingency that may be met in connection with its installation, operation or maintenance.
- Specifications are subject to change without notice. Contact Nohmi before relying on the information.
- Actual performance is based on proper application of the product by a qualified professional.
- Should further information be required or should particular concerns arise that are not covered sufficiently for the purchaser's purposes, the matter should be referred to Nohmi or your nearest distributor.



• Head Office: 4-7-3 Kudan-Minami, Chiyoda-ku, Tokyo 102-8277, Japan
 • Phone: (81)3-3265-0231
 • F A X: (81)3-3265-5348
 URL <https://www.nohmi.co.jp/english/>

Contact