

FDCJ004-D

INFRARED THREE-WAVELENGTH FLAME DETECTOR



Features

- High Sensitivity
- Long Monitoring Range, Wide Viewing Area
- Reliable Fire Detection
- Simple and Accurate Address Setting without Mechanical Switches
- Dustproof and Waterproof (Equivalent to "IP66")
- Equipped with Self-diagnosis function

Description

Nohmi's infrared three-wavelength flame detector (FDCJ004-D) captures the radiant energy (CO₂ resonance radiation) from the flame and the flicker of the flame that occur when an object burns.

The FDCJ004-D quickly detects fire even in places with ventilation flow, external air, or high ceilings where detection is often difficult for the ordinary detectors. This high-sensitivity detector is suitable not only for indoor large spaces but also for outdoor facilities. Despite its high sensitivity, the FDCJ004-D has fewer false alarm performance and can be installed under direct sunlight or artificial lighting such as sodium lamp, mercury lamp, fluorescent lamp, germicidal lamp, halogen lamp, etc.

The FDCJ004-D has the automatic testing function to periodically check the contamination rate of the light receiving window and the fire detection function.

Ordering Information

Indoor installation

- Flame Detector : Model no. FDCJ004-D
- Swivel Mount : Model no. ZPDJ005-R
- Wall Mounting Fitting : Model no. ZBU-K1

Outdoor installation

- Flame Detector : Model no. FDCJ004-D
- Tilt Mount : Model no. ZPDJ006-R
- Cable Box : Model no. ZBWJ001-R
- Weather Cover : Model no. ZADJ002-R

Nominal Monitoring Range

Field of View from Center Line of Detector (degrees)	0	5	10	15	20	25	30	35	40	45	50
Nominal Monitoring Range (m)	45	45	45	40	40	40	35	35	30	30	25

Specifications

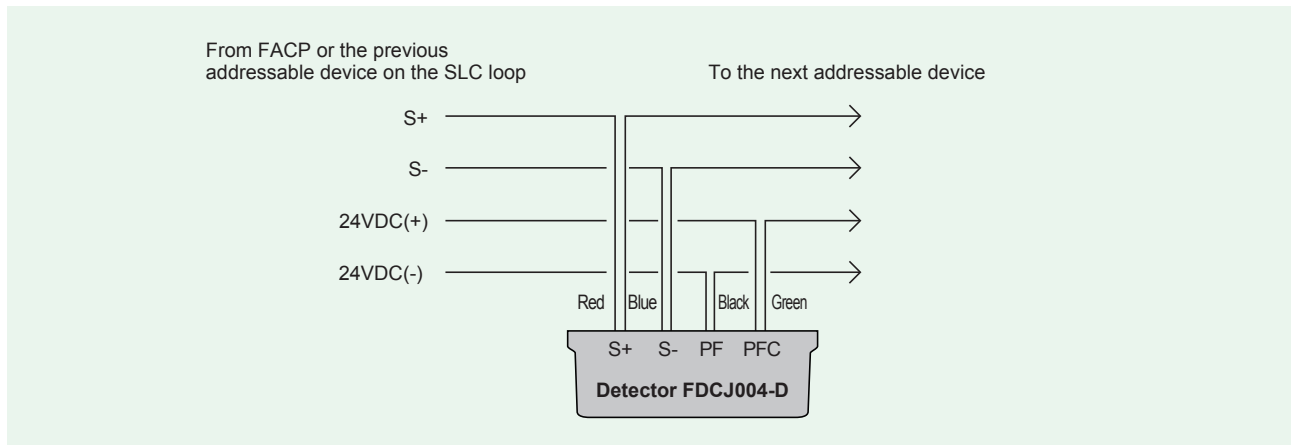
No.	Item	Specification
1	Classification	Infrared spot type detector (with testing function), CO ₂ resonance radiation type, Flickering type
2	Nominal Monitoring Range	Max. 25m (50° from the center) to max. 45m (0° from the center)
3	Field of View	100° (50° in all directions from the center line of the detector downward to the floor)
4	Rated Voltage, Current	24VDC, 100mA
5	Operating Voltage Range	19.2VDC to 28.8VDC
6	Protection Class	Equivalent to IP66
7	Indicator Light	Red LED
8	Operating Temperature Range	-10°C to +50°C
9	Main Material	Aluminum alloy
10	Weight	Approx. 350g
11	Dimensions	Approx. 106mm x 106mm x 37mm

Setting the Address

The FDCJ004-D must have the address set before connecting to the Signaling Line Circuit (SLC) loop. The address is set using the hand held device programmer.

Wiring Diagram

Typical wiring of detector.



NOTE

- The information contained herein does not purport to cover all the details or variations of the equipment described, nor to provide for every possible contingency that may be met in connection with its installation, operation or maintenance.
- Specifications are subject to change without notice. Contact Nohmi before relying on the information.
- Actual performance is based on proper application of the product by a qualified professional.
- Should further information be required or should particular concerns arise that are not covered sufficiently for the purchaser's purposes, the matter should be referred to Nohmi or your nearest distributor.

NOHMI
NOHMI BOSAI LTD.

- Head Office: 4-7-3 Kudan-Minami, Chiyoda-ku, Tokyo 102-8277, Japan
 - Phone: (81)3-3265-0231
 - F A X: (81)3-3265-5348
- URL <https://www.nohmi.co.jp/english/>

Contact