

## FRRJ001A-Y-SS FRRJ001-Y-2SS FRRJ001-Y-4SD

**ADDRESSABLE MODULE, DRY CONTACT TYPE**  
**1-ADDRESS W/4-CIRCUIT, 2-ADDRESS W/8-CIRCUIT,**  
**4-ADDRESS W/16-CIRCUIT**

### Features

- 1 address with 4 dry contacts and 4 inputs for FRRJ001A-Y-SS
- 2 addresses with 8 dry contacts and 8 inputs for FRRJ001-Y-2SS
- 4 addresses with 16 dry contacts for FRRJ001-Y-4SD
- NFFPA Class A (Styles 6 & 7) and Class B (Style 4) for SLC
- Return signals or input signals available for FRRJ001A-Y-SS and FRRJ001-Y-2SS
- Electronic address setting
- Slim unit
- Easy installation

### Description

The Addressable Modules, Dry Output Type, 1 Address with 4 Circuits, 2 Addresses with 8 Circuits, 4 Addresses with 16 Circuits are the relay contact modules that are programmed to activate when mapped devices are activated.

The FRRJ001A-Y-SS has 1 address with 4 circuits/contacts per unit, so that 4 different circuits/contacts can be controlled under 1 address number. The FRRJ001-Y-2SS has 2 addresses with 8 circuits/contacts per unit, so that 4 different circuits/contacts can be controlled under 1 address number. The FRRJ001A-Y-SS and the FRRJ001-Y-2SS also have 4 input circuits and 8 input circuits respectively which can be used to have return signals from connected devices for activation confirmation of the connected devices, or can be used to have input signals from normally-open contact devices.

The FRRJ001-Y-4SD has 4 addresses with 16 circuits/contacts per unit, so that 4 different circuits/contacts can be controlled under 1 address number. The FRRJ001A-Y-SS, the FRRJ001-Y-2SS and the FRRJ001-Y-4SD are slim units, and they can be installed easily.

### Ordering Information

Model no. FRRJ001A-Y-SS

Model no. FRRJ001-Y-2SS

Model no. FRRJ001-Y-4SD

### Specifications

No.	Item	Specification
1	Rated voltage of SLC input power (S+,S-)	24.0V
2	Maximum SLC 24 VDC standby current (S+,S-)	250µA
3	Applicable SLC wiring style	NFFPA Style 4, 6, and 7
4	Rated voltage of external power line (PD, PDC)	24.0V
5	Dry contact output style	Typical form A
6	Dry contact rating	30VDC, 2A
7	Number of circuit per unit	1 address with 4 circuits for FRRJ001A-Y-SS 2 addresses with 8 Circuits for FRRJ001-Y-2SS 4 addresses with 16 circuits for FRRJ001-Y-4SD
8	Operating temperature range	-10°C to 50°C (14°F to 122°F)
9	Operating relative humidity range	20 to 85% (non-condensing)
10	Dimensions	FRRJ001A-Y-SS, FRRJ001-Y-2SS: 68mm (2.68 inches )(H)×232mm (9.13 inches) (W)×34mm (1.34 inches) (D) FRRJ001-Y-4SD: : 68mm (2.68 inches )(H)×232mm (9.13 inches) (W)×74mm (2.91 inches) (D)

### Setting the Address

Each addressable module, smoke detector, heat detector and combination detector must have the address set before connecting the device to the Signaling Line Circuit (SLC) loop. The address is set using the hand-held device programmer or the addressing feature on the control panel.

### Installation

Figure 1: Installation in an electrical enclosure

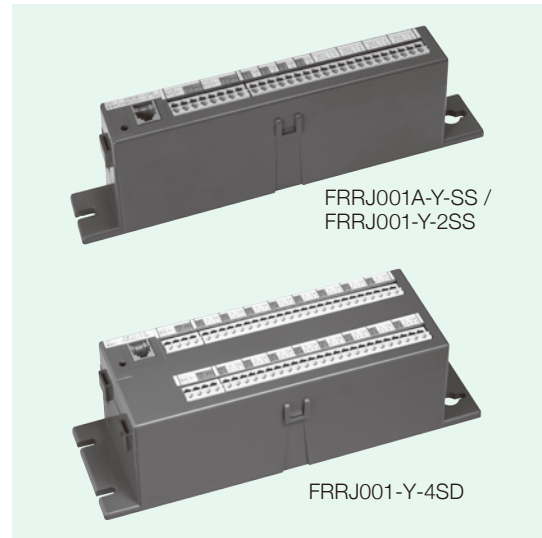
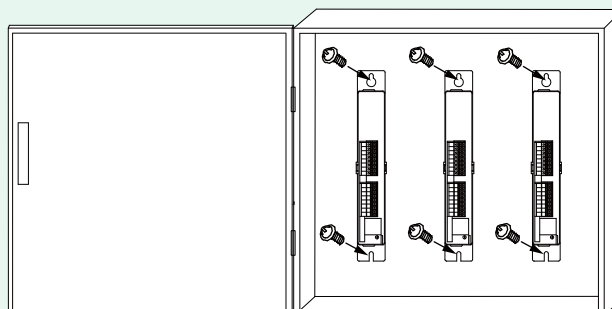


Figure 2: Wiring diagram of FRRJ001A-Y-SS

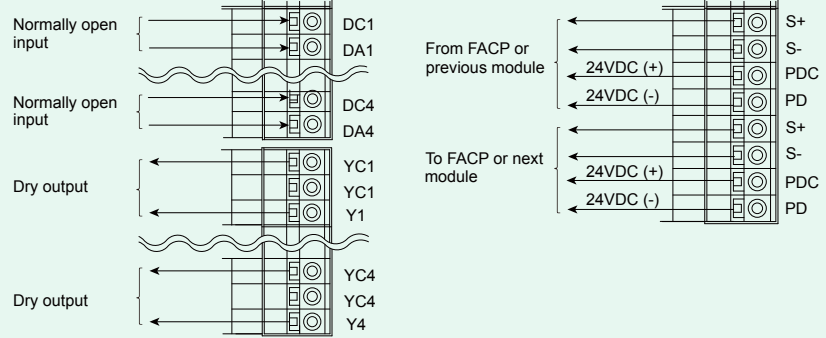


Figure 3: Wiring diagram of FRRJ001-Y-2SS

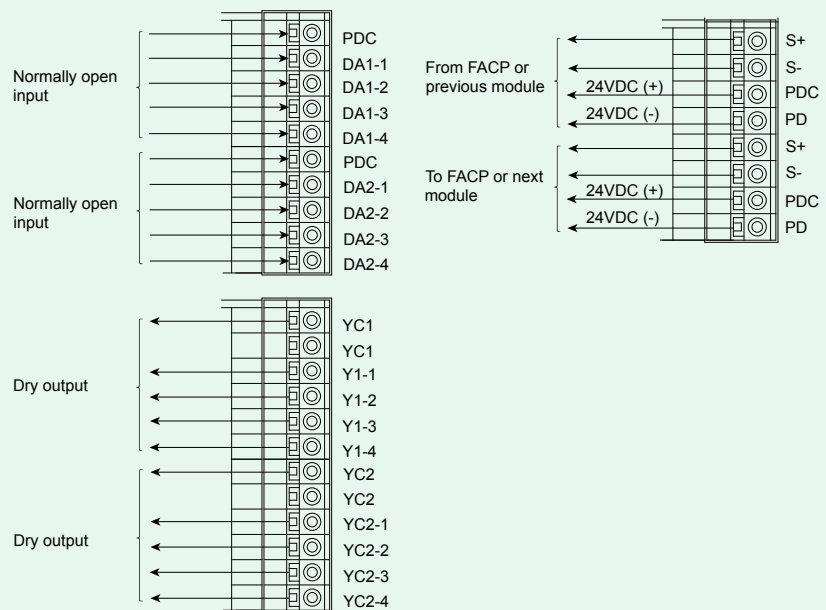
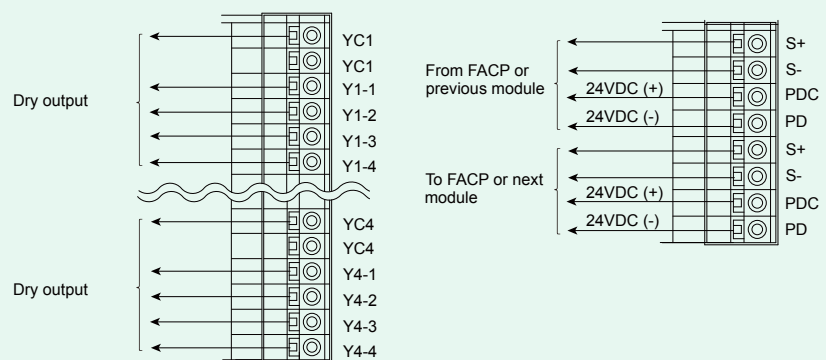


Figure 4: Wiring diagram of FRRJ001-Y-4SD



**NOTE**

- The information contained herein does not purport to cover all the details or variations of the equipment described, nor to provide for every possible contingency that may be met in connection with its installation, operation or maintenance.
- Specifications are subject to change without notice. Contact Nohmi before relying on the information.
- Actual performance is based on proper application of the product by a qualified professional.
- Should further information be required or should particular concerns arise that are not covered sufficiently for the purchaser's purposes, the matter should be referred to Nohmi or your nearest distributor.



• Head Office: 4-7-3 Kudan-Minami, Chiyoda-ku, Tokyo 102-8277, Japan  
 • Phone: (81)3-3265-0231  
 • F A X: (81)3-3265-5348  
 URL <http://www.nohmi.co.jp/english/>

Contact